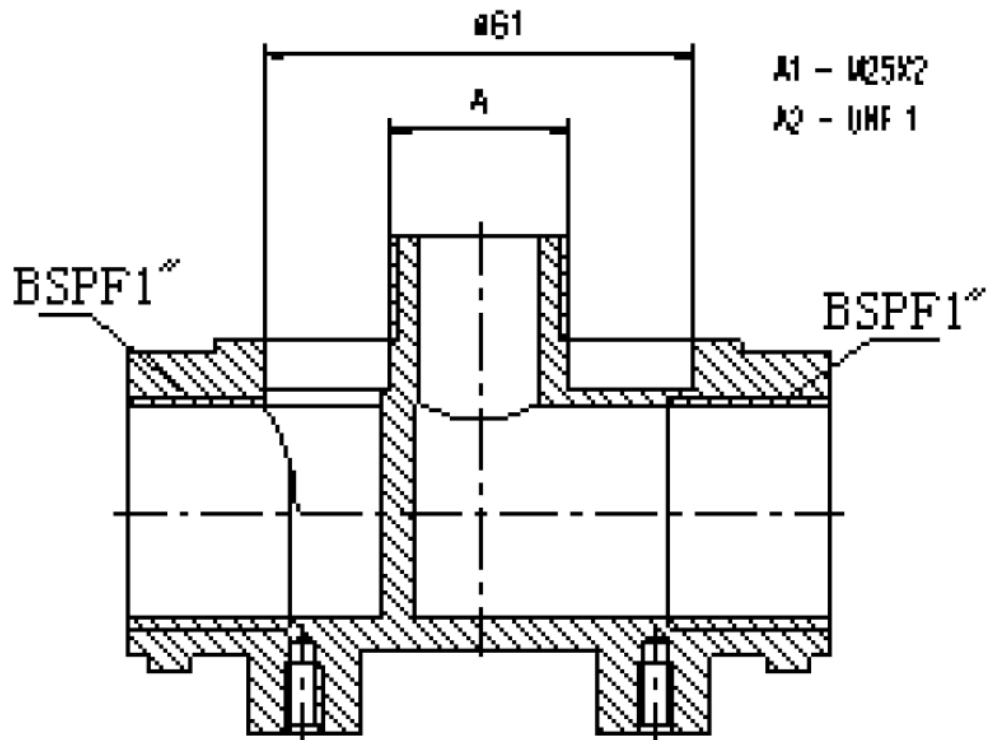


P200S-1 FILTER HEAD



www.equipco.com.au



P200S-1

- Material: Aluminum
- Filter thread: UNF 1 1/2"-12
- Inlet & Outlet: BSPF 1"
- Mounting Holes: Yes
- Dimension: 100x75x70mm
- Weight: 0.25kg

